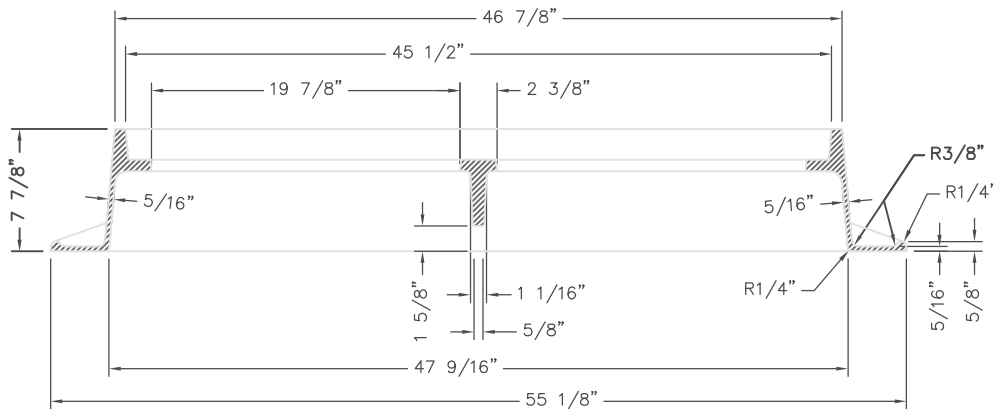
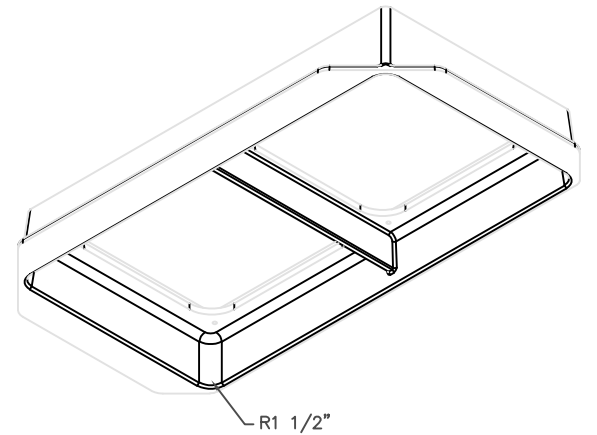
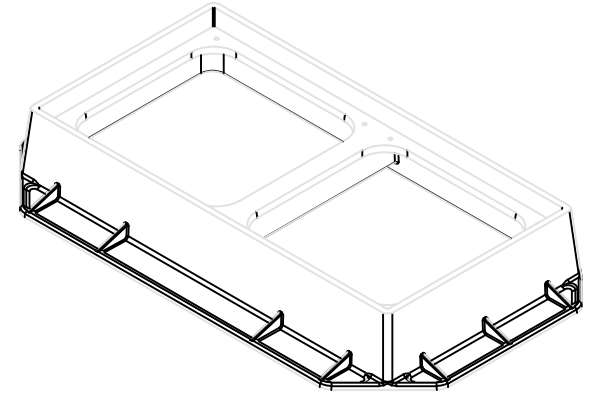
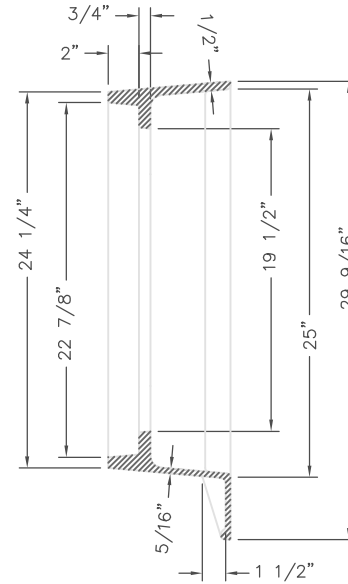
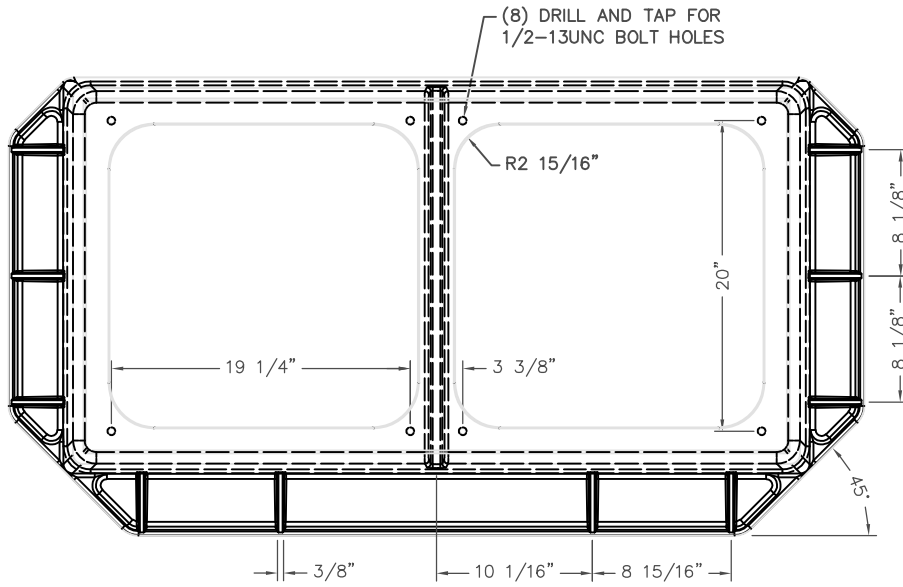


# 32872305-2 B8



NOTES: MEETS LOADING REQUIREMENTS OF HS-25.  
 MADE IN USA.  
 QUALIFIES FOR "LEED" CREDITS.  
 MATERIAL: CAST GRAY IRON ASTM A-48, CLASS 35B.  
 FINISH: NO PAINT  
 WEIGHT: 270#

Supplied By:  
**TRENCHDRAIN**  
**SUPPLY**  
 877-903-7246  
 www.trenchdrainsupply.com

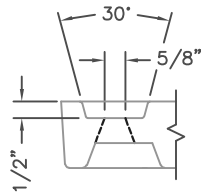
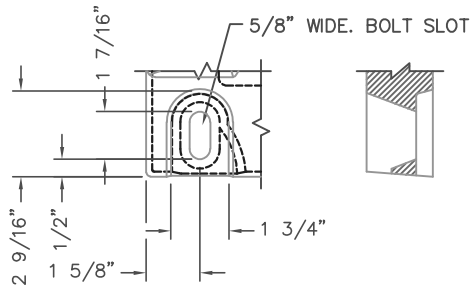
CAD DWG. REF: 32872305.DWG-

2

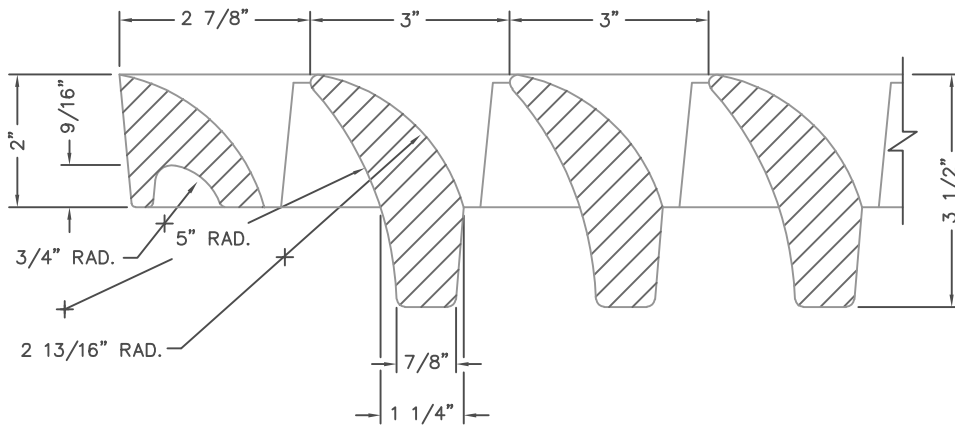
DATE	REVISION	INT
3-23-2023	UPDATED MATERIAL TO CLASS 30B	AJS
12-11-2012	ADDED NOTES AND CHANGED THE METAL SPEC	ELN

DR.	RKB	SCALE	1/8"=1"	TITLE:	R-3287-5W INLET FRAME
CH.					
APP.		DIM CHK.			
DATE	02-24-2012			NEENAH FOUNDRY NEENAH WISCONSIN 54956	NF-32872305 B
				www.neenahfoundry.com	
				PHONE: 1-800-558-5075	

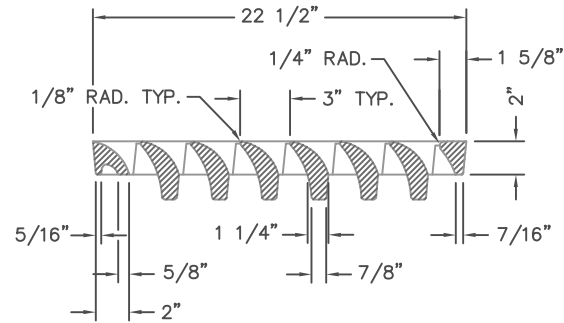
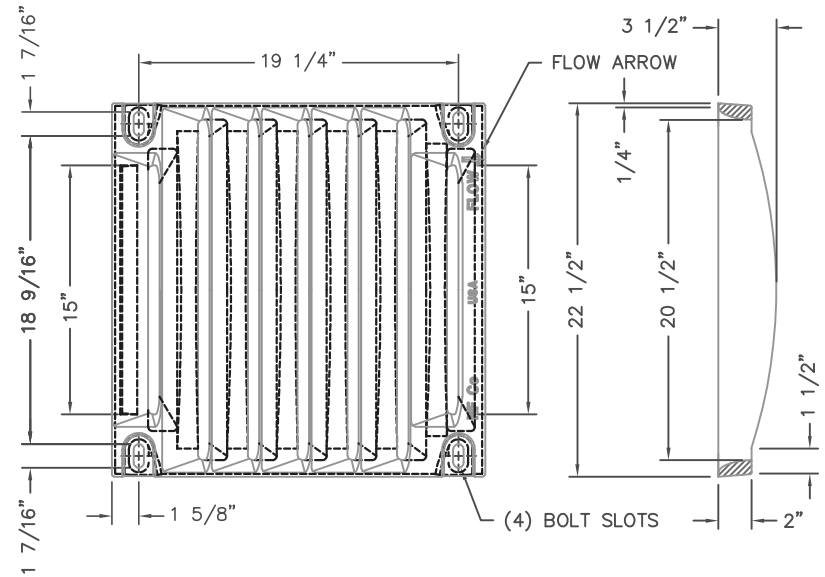
# 32873022-7 B8



**BOLT HOLE DETAIL**  
SCALE 1:4



**RIB DETAIL**  
SCALE 1:2



FREE OPEN AREA: 230 SQ. IN. OR 1.6 SQ. FT.  
MATERIAL: CAST GRAY IRON ASTM A-48, CLASS 35B  
FINISH: NO PAINT  
WEIGHT: 153#

Supplied By:  
**TRENCH DRAIN SUPPLY**  
877-903-7246  
www.trenchdrainsupply.com

DATE	REVISION	BY
08-17-2013	CHANGED THE BOLT SLOT RECESS TO HAVE 15° DRAFT.	ELN
08-17-2013	CORRECTED DIMENSIONS	CAG
05-23-2013	MADE THE BOLT SLOTS LONGER	CAG
04-22-2013	CHANGED THE BOLT HOLES TO BOLT SLOTS	ELN
10-01-2007	CHANGED THE BOLT SLOTS TO BOLT HOLES PER PATTERN CHECK	ELR
8-29-2006	DIMENSIONED SLOTS	SMA
		INT

DR.	E. REMME
CH.	
APP.	
DATE	07-07-2006

SCALE	1/8"=1"
DIM CHK.	

TITLE:  
R-3287-5  
TYPE "V" GRATE

**NEENAH**  
FOUNDRY COMPANY  
NEENAH WISCONSIN 54956

**NEF** NF-32873022 B